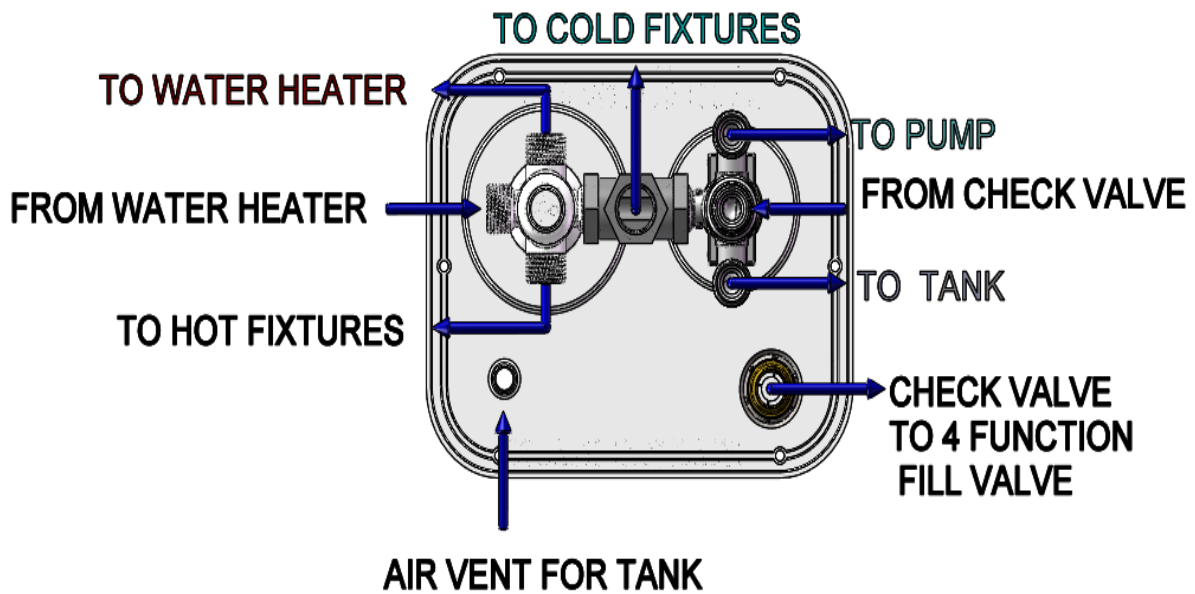


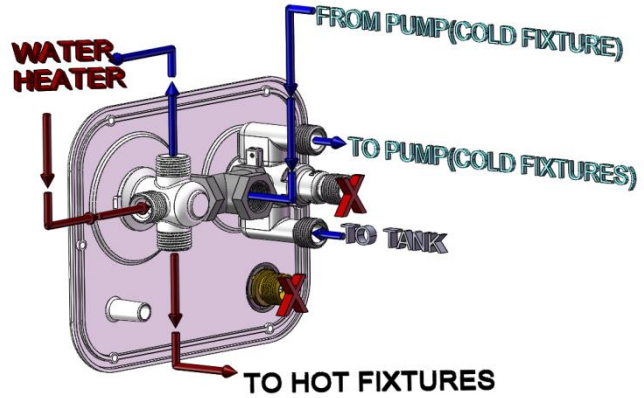


# Anderson Brass Company

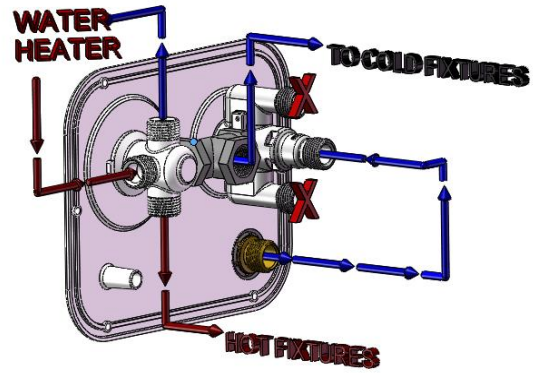
## 200RV-WHB FLOW PATH



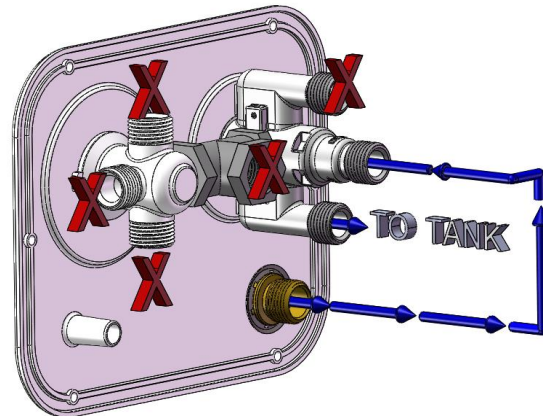
TO RUN HOT AND COLD FIXTURES FROM STORAGE TANK (VIA RV PUMP)



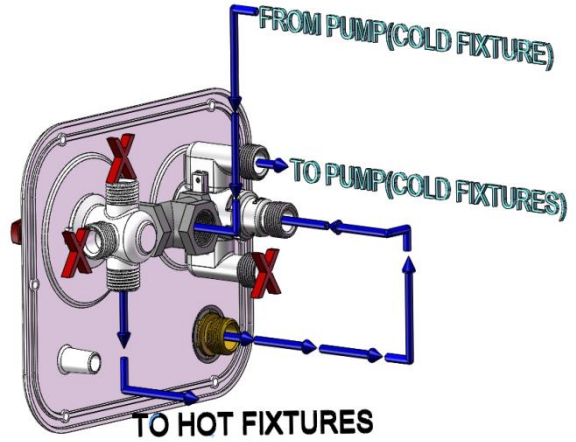
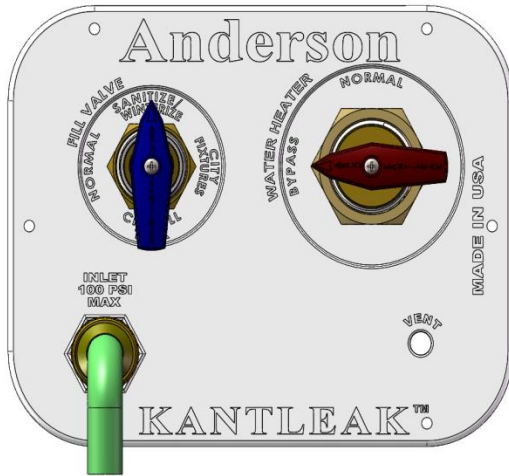
TO RUN FIXTURES FROM PRESSURIZED CITY WATER



TO FILL STORAGE TANK FROM PRESSURIZED CITY WATER



TO SANITIZE/WINTERIZE HOT AND COLD FIXTURE (NOT TANK) FROM UNPRESSURIZED SOURCE (VIA RV PUMP)



TO BYPASS WATER HEATER FOR MAINTENANCE

