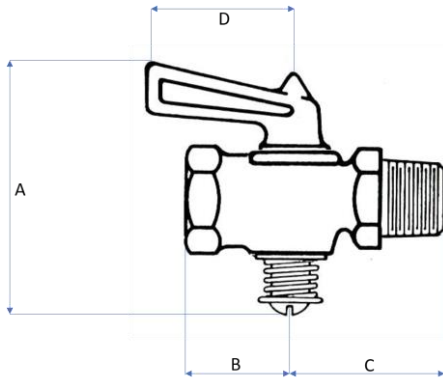


H130 Series

High Pressure Shut-off Valve



Instantaneous off-on operation with 360° rotation. The lapped brass body and plug are individually mated, providing an excellent quality, low friction valve. Valves are extensively used for water process piping and air supply systems.

- 90° rotation available

Pressure Rating:
150 P.S.I.

Temperature Rating:
-40° to 250° F

Part No.	A	B	C	D
H130CL	2.00	1.14	1.11	1.00
H131CL	2.00	1.11	1.12	1.00
H132CL	2.00	1.14	1.14	1.00

Part No.			
H130C-L	1/4" FNPT	X	1/4" MNPT
H131C-L	1/4" MNPT	X	1/4" MNPT
H132C-L	1/4" FNPT	X	1/4" FNPT