



Kantleak™ Ball Valves are designed with double o-ring protection and our exclusive stem seal never needs tightening. Our valves also feature forged brass CDA 377, chrome plated brass ball, blow-out proof stem, and easy turn handle.

Pressure Rating:

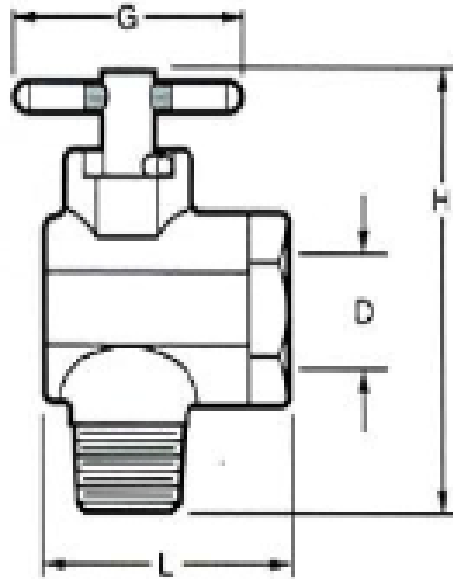
Bottom Port as Inlet 600 PSI

Side Port as Inlet 100 PSI

- Forged, brass CDA 377 body
- Chrome plated brass ball
- Blow-out proof stem
- Easy turn handle

Part #	FNPT		FNPT
190BV-L	1/4"	X	1/4"
190BV-N	3/8"	X	3/8"
190BV-P	1/2"	X	1/2"

Dimensions



190BV

Part #	Size	D	G	H	L	Cv
190BV-L	1/4"	.44	1.50	2.78	1.68	5.2
190BV-N	3/8"	.50	1.50	2.78	1.68	5.5
190BV-P	1/2"	.50	1.50	2.78	1.68	5.5