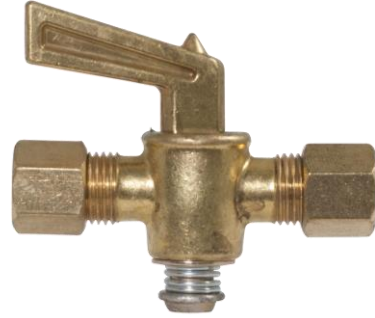
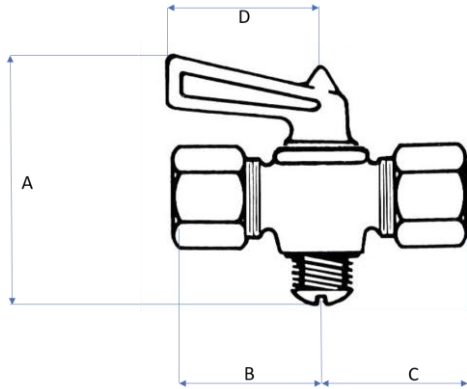


134 Series

Shut-off Valve



Instantaneous off-on operation with 360° rotation. The lapped brass body and plug are individually mated, providing an excellent quality, low friction valve. Valves are extensively used for water process piping and air supply systems.

- 90° rotation available

Pressure Rating:
30 P.S.I.

Temperature Rating:
-40° to 250° F

Part No.	A	B	C	D
134C-4	1.88	0.81	0.81	1.00
134C-5	1.88	0.84	0.84	1.00
134C-6	1.88	0.87	0.87	1.00
134C-8	2.31	1.03	1.03	1.12

Part No.	O.D. Tube
134C-4	1/4"
134C-5	5/16"
134C-6	3/8"
134C-8	1/2"