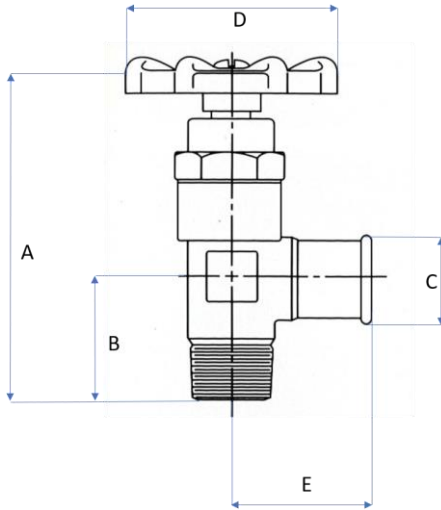


# 907 Series

## Rising Stem Valve



**907 Series** Rising Stem Valves are used extensively in the industrial, heavy duty construction equipment and mobile fleet markets. They are high flow valves recommended for operation with gasoline, oil, kerosene, LP gas, gas-air mixtures, cooling systems and air systems.

Pressure Rating:  
200 P.S.I.

Part No.	A	B	C	D	E
907V-10P					
907V-12N					
907V-12P					

Part No.	I.D. Hose	Pipe Thread
907V-10P	5/8"	X 1/2"
907V-12N	3/4"	X 3/8"
907V-12P	3/4"	X 1/2"